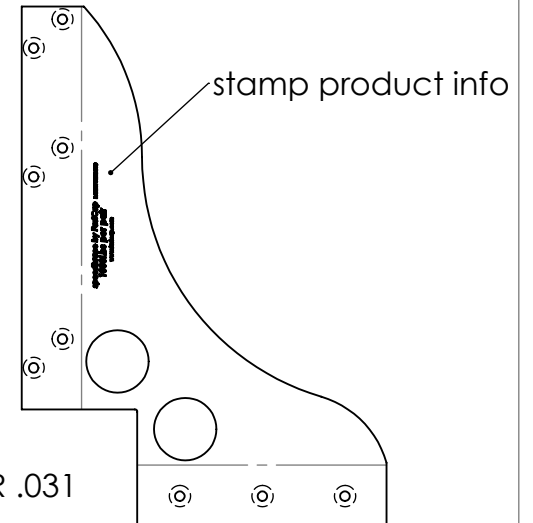


DOWN 90.00° R .031



DOWN 90.00° R .031

**PROPRIETARY AND CONFIDENTIAL**  
 THE INFORMATION CONTAINED IN THIS DRAWING IS THE SOLE PROPERTY OF FastCap. ANY REPRODUCTION IN PART OR AS A WHOLE WITHOUT THE WRITTEN PERMISSION OF FastCap IS PROHIBITED.

DIMENSIONS ARE IN INCHES TOLERANCES: ANGULAR: MACH ±.5 deg. TWO PLACE DECIMAL ±.01 THREE PLACE DECIMAL ±.005 FOUR PLACE DECIMAL ±.0010		NAME	DATE	<b>FASTCAP</b>
MATERIAL	--	DRAWN		
FINISH	--	CHECKED		SIZE DWG. NO. <b>Speed Brace 8x12c</b> REV. SCALE:1:5 WEIGHT: SHEET 1 OF 1
DO NOT SCALE DRAWING		ENG APPR.		
		MFG APPR.		
		Q.A.		
		COMMENTS:		